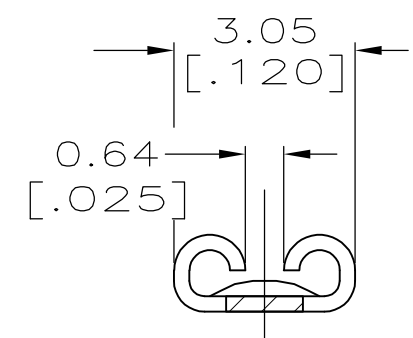
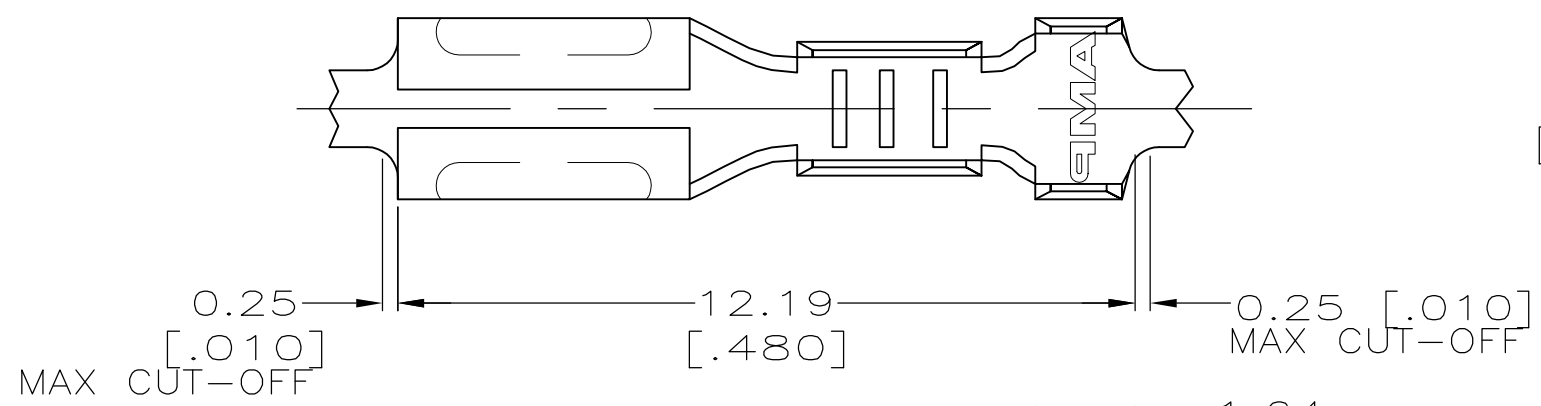


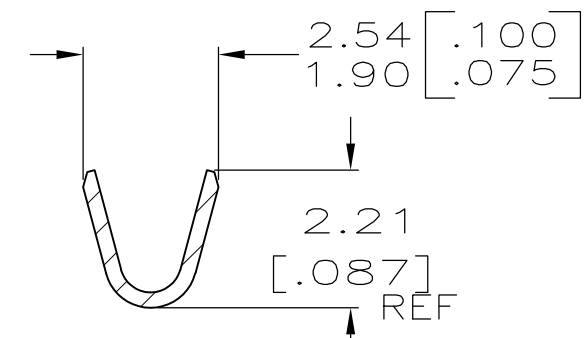
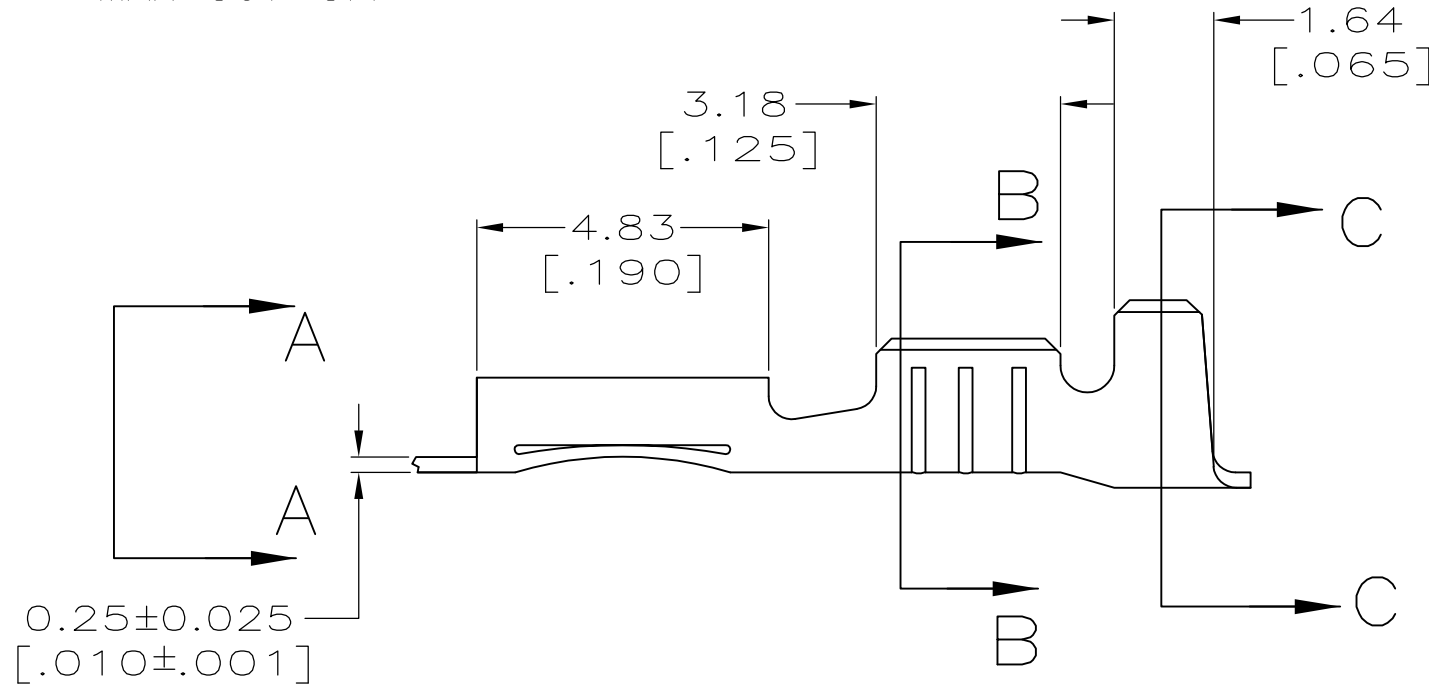
THIS DRAWING IS UNPUBLISHED. RELEASED FOR PUBLICATION
 © COPYRIGHT - By - ALL RIGHTS RESERVED.

LOC	DIST	REVISIONS			
P	LTR	DESCRIPTION	DATE	DWN	APVD
AF	50	F	REVISED PER ECR-12-013518	23NOV2012	KH PD

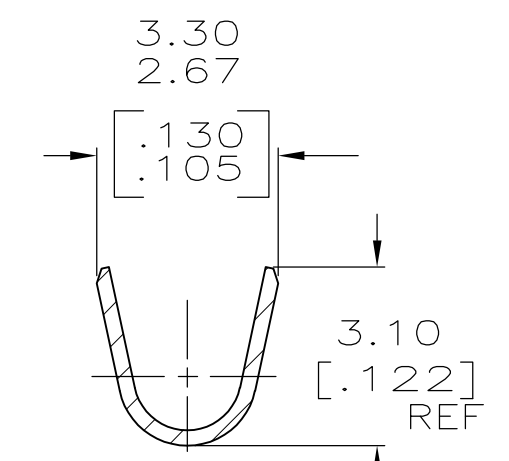


VIEW A-A

- 1 SUPPLIED IN LOOSE PIECE OR STRIP FORM, SEE DASH NUMBERS.
- 2 WIRE SIZE [#22-#18] AWG.
- 3 MATING TAB IS 0.25±0.025 [.010±.001] THK.
- 4 INSULATION RANGE IS 1.27-2.16 [.050-.085] DIA.



SECTION B-B



SECTION C-C

STRIP	63391-2
LOOSE PIECE	63391-1
SUPPLIED TO CUSTOMER	PART NO.

THIS DRAWING IS A CONTROLLED DOCUMENT.		DWN	JR RUTH	1/29/98
DIMENSIONS: mm [INCHES]		CHK	P FORTNEY	1/29/98
TOLERANCES UNLESS OTHERWISE SPECIFIED:		APVD	J GILLESPIE	1/29/98
0 PLC	± -	PRODUCT SPEC		
1 PLC	± -	APPLICATION SPEC		
2 PLC	± 0.25 [.010]	WEIGHT		
3 PLC	± -	CUSTOMER DRAWING		
4 PLC	± -	SCALE 8:1		
ANGLES	± -	SHEET 1 OF 1		
MATERIAL	BRASS	REV F		
FINISH	0.002032 [.000080] PRE-TIN			

STE TE Connectivity

RECEPTACLE, TAB, 2.36 [.093]

SIZE	CAGE CODE	DRAWING NO	RESTRICTED TO
A3	00779	C-63391	-